



Network Camera

Quick Guide

DC-T1244WR

Safety Precautions



WARNING: TO REDUCE THE RISK OF ELECTRIC SHOCK
DO NOT REMOVE COVER (OR BACK)
NO USER-SERVICEABLE PARTS INSIDE
REFER SERVICING TO QUALIFIED SERVICE PERSONNEL



This lightning flash with arrowhead symbol within an equilateral triangle is intended to alert the user to the presence of uninsulated dangerous voltage within the product's enclosure that may be sufficient magnitude to constitute a risk of electric shock to persons.

The exclamation point within an equilateral triangle is intended to alert the user to the presence of important operating and maintenance (servicing) instructions in the literature accompanying the product

WARNING: This product contains chemicals known to the State of California to cause cancer and birth defects or other reproductive harm. Wash hands after handling.

FCC WARNING: This equipment may generate or use radio frequency energy. Changes or modifications to this equipment may cause harmful interference unless the modifications are expressly approved in the instruction manual. The user could lose the authority to operate this equipment if an unauthorized change or modification is made.

REGULATORY INFORMATION: FCC Part 15

This equipment has been tested and found to comply with the limits for a Class A digital device, pursuant to Part 15 of FCC Rules. These limits are designed to provide reasonable protection against harmful interference when the equipment is operated in a commercial environment.

This equipment generates, uses, and can radiate radio frequency energy and, if not installed and used in accordance with the instruction area is likely to cause harmful interference in which case the user will be required to correct the interference at his own expense.

- A suitable conduit entries, knock-outs or glands shall be provided in the cable entries of this product in the end user.
- **Caution:** Danger of explosion if battery is incorrectly replaced. Replaced only with the same or equivalent type recommended by the manufacturer. Dispose of used batteries according to the manufacturer's instruction.
- Holes in metal, through which insulated wires pass, shall have smooth well rounded surfaces or shall be provided with brushings.

This Class A digital apparatus complies with Canadian ICES-003.
Cet appareil numérique la classe A est conforme à la norme NMB-003 du Canada.

Warning: Do not install this equipment in a confined space such as a bookcase or similar unit.

Warning: Wiring methods shall be in accordance with the National Electric Code, ANSI/NFPA 70.

Warning: This is a class A product. In a domestic environment this product may cause radio interference in which case the user may be required to take adequate measures.

Warning: To reduce a risk of fire or electric shock, do not expose the internal apparatus to rain or moisture.

Warning: Please adopt the power adapter which can meet the safety extra low voltage (SELV) standard. And source with DV 12V or AC 24V (depending on models) according the IEC60950-1 and Limited Power Source standard.

Warning: Install the camera on a ceiling or wall where can withstand the weight of 5 times of the camera including mounting bracket.

Caution: This installation shall be made by a qualified service person and shall conform to all local codes.

Caution: To avoid electrical shock, do not open the cabinet. Refer servicing to qualified personnel only.

Caution: The internal apparatus shall not be exposed to water (dripping or splashing) and no objects filled with liquids, such as vases, shall be placed within the enclosure.

Caution: Make sure the power supply voltage is correct before using the camera.

Caution: Do not drop the camera or subject it to physical shock.

Caution: The sensor may be burned out by a laser beam, so when any laser equipment is being used, make sure that the surface of the sensor not be exposed to the laser beam.

Caution: While shipping, the camera should be packed in its original packing.

Note:

Please make sure the product is installed appropriate places where secured from flood, such as under the eaves, to operate properly. This product is certified as IP66 standard. However, if there is any flood concerns, it is highly recommended to use an outdoor Housing. When you install the camera inside an outdoor Housing, please use one of the following methods:

1. Remove the front glass of Housing before installing the camera.
2. To keep the front glass of Housing, remove the front cover, and then put the camera close to the front glass.

To disconnect power from mains, pull out the mains cord plug. When installing the product, ensure that the plug is easily accessible.

Important Safety Instructions

1. Read these instructions.
2. Keep these instructions.
3. Heed all warnings.
4. Follow all instructions.
5. Do not use this apparatus near water.
6. Clean only with dry cloth.

7. Do not block any ventilation openings. Install in accordance with the manufacturer's instructions.
8. Do not install near any heat sources such as radiators, heat registers, stoves, or other apparatus (including amplifiers) that produce heat.
9. Do not defeat the safety purpose of the polarized or grounding-type plug. A polarized plug has two blades with one wider than the other. A grounding type plug has two blades and a third grounding prong. The wide blade or the third prong are provided for your safety. If the provided plug does not fit into your outlet, consult an electrician for replacement of the obsolete outlet.
10. Protect the power cord from being walked on or pinched particularly at plugs, convenience receptacles, and the point where they exit from the apparatus.
11. Only use attachments/accessories specified by the manufacturer.
12. Use only with the cart, stand, tripod, bracket, or table specified by the manufacturer, or sold with the apparatus. When a cart is used, use caution when moving the cart/apparatus combination to avoid injury from tip over.



13. Unplug this apparatus during lightning storms or when unused for long periods of time.
14. Refer all servicing to qualified service personnel. Servicing is required when the apparatus has been damaged in

any way, such as power supply cord or plug is damaged, liquid has been spilled or objects have fallen into the apparatus, the apparatus has been exposed to rain or moisture, does not operate normally, or has been dropped.

Handling of the unit

Be careful not to spill water or other liquids in the unit. Be cautious not to get combustible or metallic material inside the body. If used with foreign matter inside the cameras liable to fail or to get cause of fire or electric shock.

- Remove dust or dirt on the surface of the lens with a blower.
- Use a soft and lint free, dry cloth (such as glass cleaner) to clean the body. If it is very dirty, use a cloth dampened with a small quantity of neutral detergent then wipe dry.
- Avoid the use of volatile solvents such as thinners, alcohol, benzene and insecticides. They may damage the surface finish and/or impair the operation of the camera.
- This camera is designed for mounting on the ceiling or wall. If you install this camera upside down, it may cause malfunction.

Operating and storage location

Avoid viewing a very bright object (such as light fittings) during an extended period. Avoid operating or storing the unit in the following locations.

- Extremely hot or cold places (operating temperature -10 °C to 50 °C. however, we recommend that the unit be used within a temperature range of 0 °C to 45 °C).
- Damp or dust place.

- Places exposed to rain.
- Places subject to strong vibration.
- Close to generators of powerful electromagnetic radiation such as radio or TV transmitters.

- Do not use the camera in such place where rapid temperature fluctuation by switching an air conditioner on and off.

Introduction

This manual is intended for users of the camera and includes instructions for using and managing the camera on the network

Features

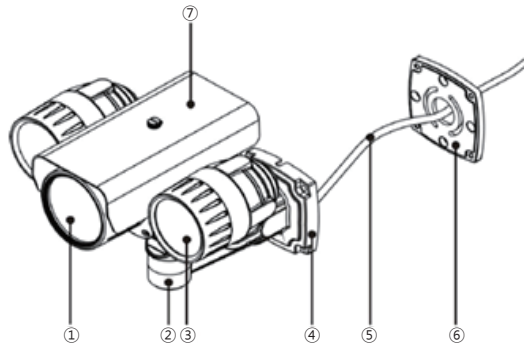
- Multi stream for live monitoring and recording
- H.264 and M-JPEG compression algorithm
- Pre- and post-event buffering and video stream buffering to enhance reliability of network recording
- Remote monitoring via web browser or remote software
- Up to 10 simultaneous connections to the camera for remote monitoring
- Enhanced security using IP address filtering, HTTPS, SSL and IEEE 802.1X functions and password protected
- Network bandwidth limit and MAT functions to use network bandwidth efficiently
- Convenient network connection using the UPnP (Universal Plug and Play) function and built-in mDNS (Multicast DNS) protocol
- Supports ONVIF protocol
- Slow shutter to reduce the minimum illumination requirements
- Day and night functionality with the built-in IR-cut filter changer
- Auto focus functionality
- Convenient firmware upgrades via the network connection
- Firmware duplication and auto recovery functions to enhance system stability
- Management of multiple cameras via Ethernet connections
- Event detection functions: motion, trip-zone, tampering
- Power sources: 12 VDC, PoE (Power over Ethernet)
- NTSC or PAL programmable video output

Specification

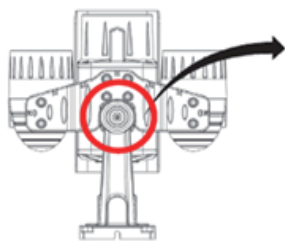
MODEL	DC-T1244WR
Lens Type	TDN Motorized Zoom 9~22mm
Lens Iris Control	DC Auto Iris
Image Sensor	1/2.8" CMOS
Minimum Illumination	Color : 0.5 Lux, B/W : 0 lux(IR LED ON)
Scanning Mode	Progressive scan 1080p30/ 1080p25
Dynamic Range	More than 75dB
Electronic Shutter	Auto. Manual(1/30~1/8000), Anti-Flicker, Slow Shutter(1/7.5, 1/15)
IR LED	40 IR LEDs
Compression Algorithm	H.264(MP), M-JPEG
Compression Resolution	CIF, 4CIF, 1280x720(720p), 1920x1080(1080p), Pivot
Bitrate Control	H.264 – CBR/ VBR(up to 12Mbps)
Maximum Frame Rate	30ips @ 1080p + 30ips @ 4CIF Triple Streaming(with multi-view)
Multi Stream	Triple stream(Live & Recording, Multi-view)
Video Output	RJ45 1 port, BNC(CVBS) 1port

Audio Input	X
Audio Output	X
Alarm Input	X
Alarm Output	X
Network Connectivity	10/100Mbps Ethernet
Video Output	BNC(CVBS) 1port
Audio In/Out	X
Alarm In	X
Alarm Out	X
Ethernet Port	RJ45 1 port
Dimensions	260mm(W) * 210mm(H) * 290mm(D) 10.24"(W)*8.27"(H)*11.42"(D)
Weight Approx.	Approx. 2.3Kg, 5.1lbs
Power Source	12V DC, PoE(IEEE 802.3af(class 3))
Power Consumption	9.6W
Operating Temperature	0°C - 50°C
Operating Humidity	20%RH ~ 80%RH

Part Names and Functions



- ① Lens ② Stand ③ IR LED ④ Bottom Cover
⑤ Cable ⑥ Mountin Bracket ⑦ Sun Shield Screw Hole



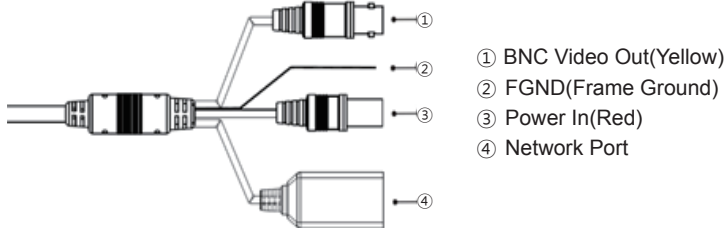
- ① Factory Reset Switch
② Power LED
③ LED Level Control Switch
- ①②③

- **Lens:** Optical zoom lens is installed.
- **IR LED:** A sensor in the bottom middle monitors lighting levels and activates the IR LED during low-lighting conditions.
- **Stand:** Allows you to adjust the camera direction and lens' rotation angle. Twist the setscrews counterclockwise and move the camera to the desired direction. Once it is set, twist the setscrews clockwise to lock it.
- **Bottom Cover:** Allows you to mount the camera to the wall or ceiling using the mounting bracket provided with the camera.
- **Mounting Bracket:** Allows you to mount the camera to the wall or ceiling.
- **Cable:** Refer to the [Cable](#).
- **Sun Shield Screw Hole:** Allows you to screw the sun shield to the camera.

- **Factory Reset Switch:** If you turn the lid on the bottom of the product counterclockwise, there is a switch. It is used only to return the set value to the factory default setting. For details, refer to the "Factory Reset" section below.

- **Power LED:** Turn the lid on the bottom of the appliance counterclockwise and the LED will be on. Displays the operating status of the system. For details, refer to "Appendix - LED indication".

- **LED Level Control Switch:** If you turn the lid on the bottom of the product counterclockwise, there is a switch. Adjust the brightness of the IR LED.



- **BNC Video Out (Yellow):** Connect the monitor. Use these ports for previewing video and not monitoring video.
- **FGND (Frame Ground):** Used to ground the device.
- **Power In (Red):** Connect to the power adapter (12 VDC).
- **Network Port:** Connect a network cable with an RJ-45 connector to this port. If using a PoE switch, you can supply power to the camera using an ethernet cable. For more information on PoE switch use, refer to the switch manufacturer's operation manual. You can configure, manage, and upgrade this camera and monitor its images from a remote computer over the network. For more information on network connection setup, refer to the IDIS Discovery [manual](#).

☞ Check your local laws and regulations on making video or audio recordings. The user will be held liable for any violation of the law.



PoE power is not supported during IR LED operation.



When switching over from 12 VDC to PoE as the power source, the system will be rebooted once the power adapter is disconnected.



Organize the power cable so that it will not cause people to trip over or become damaged from chairs, cabinets, desks, and other objects in the vicinity. Do not run the power cable underneath carpet or a rug or plug the cable into a power outlet shared by a number of other devices.

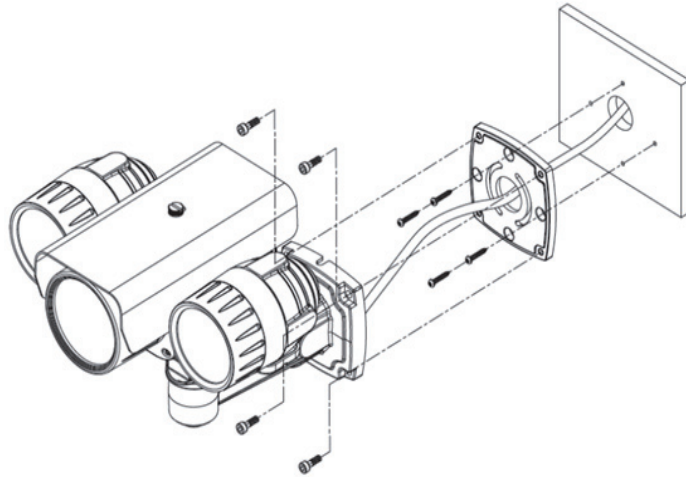
If you turn the lid on the bottom of the product counterclockwise, there is a factory reset switch.

This will only be performed remotely on the rare occasions that you want to return all settings to the original factory settings.



A factory reset will clear all camera settings configured by the user.

For detailed camera settings, refer to the camera operation manual and it can be downloaded from our website : www.idisglobal.com



1. Screw the camera sun shield to the camera using the screw and rubber provided with the camera.
2. Screw the mounting bracket to the wall or ceiling by using screws provided with the camera.
3. Screw the bottom cover to the mounting bracket by using screws provided with the camera.
4. Adjust the camera angle by bending the stand.
5. Connect external devices, network and power adapter.
6. Apply power.



**Check the wall or ceiling to see if it needs to be reinforced.
The camera may fall off if the wall or ceiling is not strong enough to support its weight.**



IDIS Co., Ltd.

For more information, please visit
www.idisglobal.com